

DATA SHEET

Scorpion® EXM2 Monitor

Model 7400X2

Efficient, high-flow, electric remote controlled water monitor (water cannon) for fire apparatus, ARFF, industrial pumper, and de-icing vehicles.

The Scorpion EXM2 is a high flow addition to the EXM2 product family. Utilizing the new EXM2 operating platform, the 7400X2 features built-in Wi-Fi for simple programming and setup. The EXM2 controls, both wired and wireless, provide improved performance and operator control. The EXM2 platform continues to incorporate heavy duty swivel joints and thrust rods for unprecedented durability.

The 7400X2 is offered with either a 4" ANSI or DN100 flanged inlet. Outlets are available in 3.5" NHT or BSPP threads.

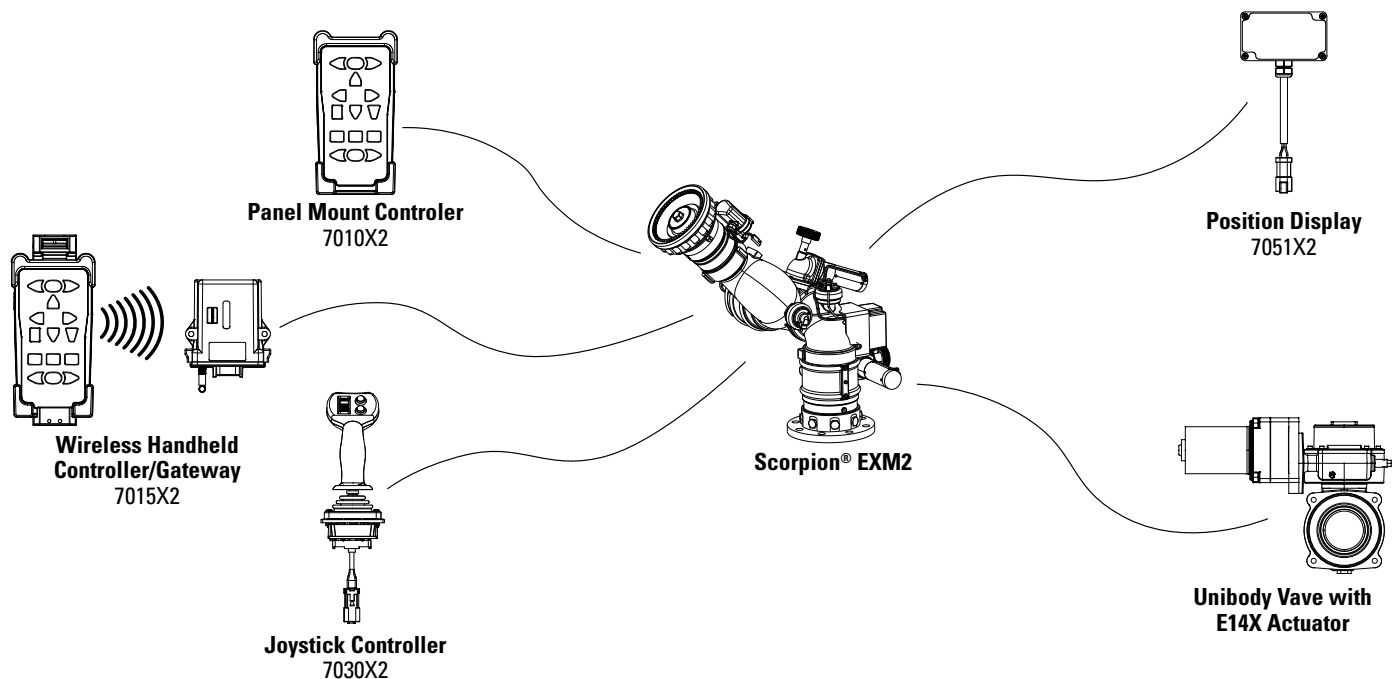


Mechanical Features

- 2500 GPM flow (10,000 LPM)
- Motors and control components sealed to NEMA 4
- Axially aligned thrust bearings for extreme durability
- Absolute position sensors for precise control
- Manual override control in event of power failure
- Teflon impregnated, hard anodized aluminum alloy waterway
- Extreme torque motors

Control Features

- 12 or 24VDC Compatible
- Wired or wireless control options
- CANBUS J1939 compatible
- Programmable STOW, DEPLOY and OSCILLATION
- Programmable travel limits and keep out zones
- Programmable travel speeds
- Integrated water valve control



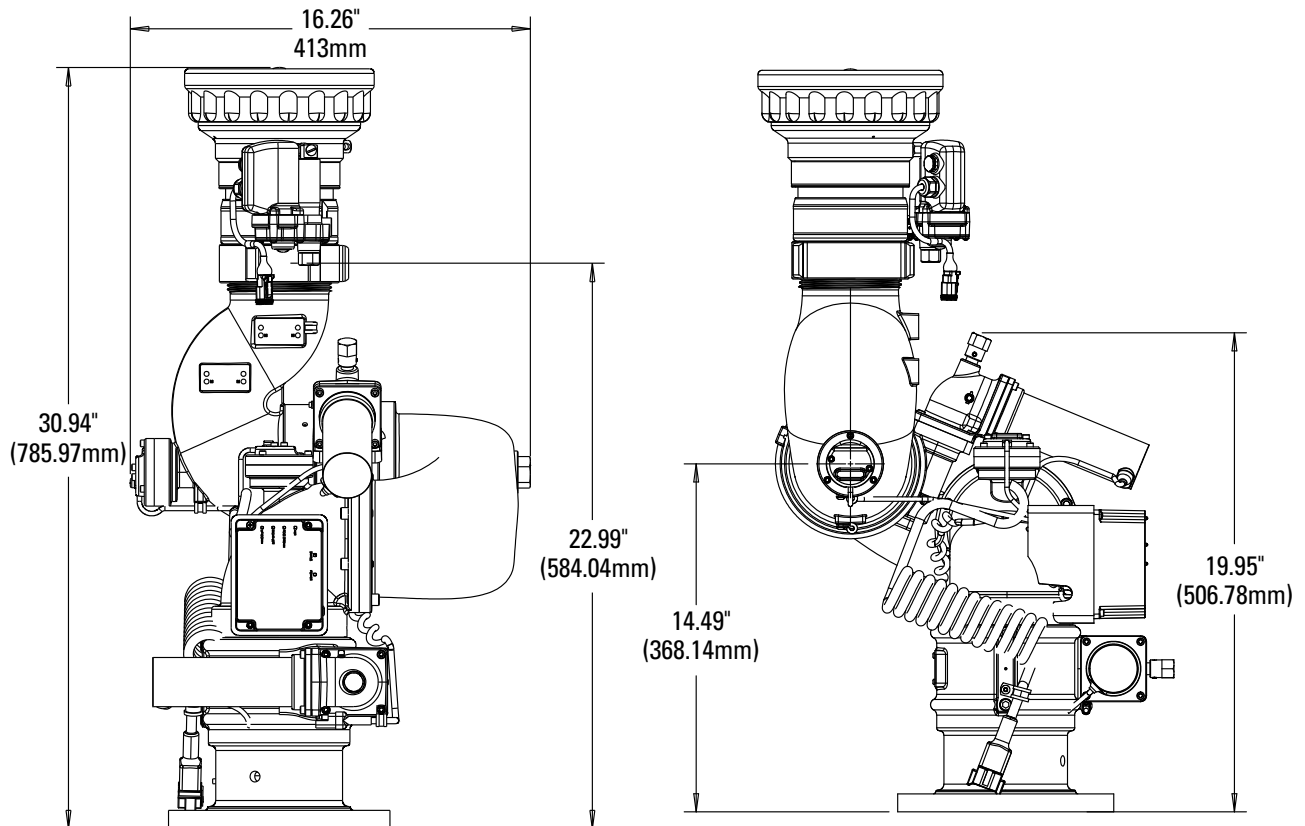
1-574-295-8330
www.elkhartbrass.com

ELKHART BRASS
FIRE FIGHTING EQUIPMENT A SAFE FLEET BRAND

DATA SHEET

Scorpion EXM2 Monitor

| Specifications | |
|-------------------------|---|
| Model: | 7400X2 |
| Max Flow: | 2500 GPM (10,000 LPM) |
| Max Pressure: | 500 PSI (34.5 bar) |
| Inlet: | 4" ANSI, DN100 |
| Outlet: | 3.5" Male NHT & BSPP |
| Travel: | Vertical: -45° to +90° (135°) Horizontal: L175 to R175 (350°) |
| Voltage: | 12 or 24 VDC compatible |
| Control: | CANbus J1939 |
| Communication: | 915 MHz RF - FCC & IC 868 MHz RF - CE |
| Material/Finish: | Teflon impregnated, hard anodized Elk-O-Lite® |
| Stow Height: | 20" (508mm) |
| Weight: | 52 lbs (23.6 kg) |

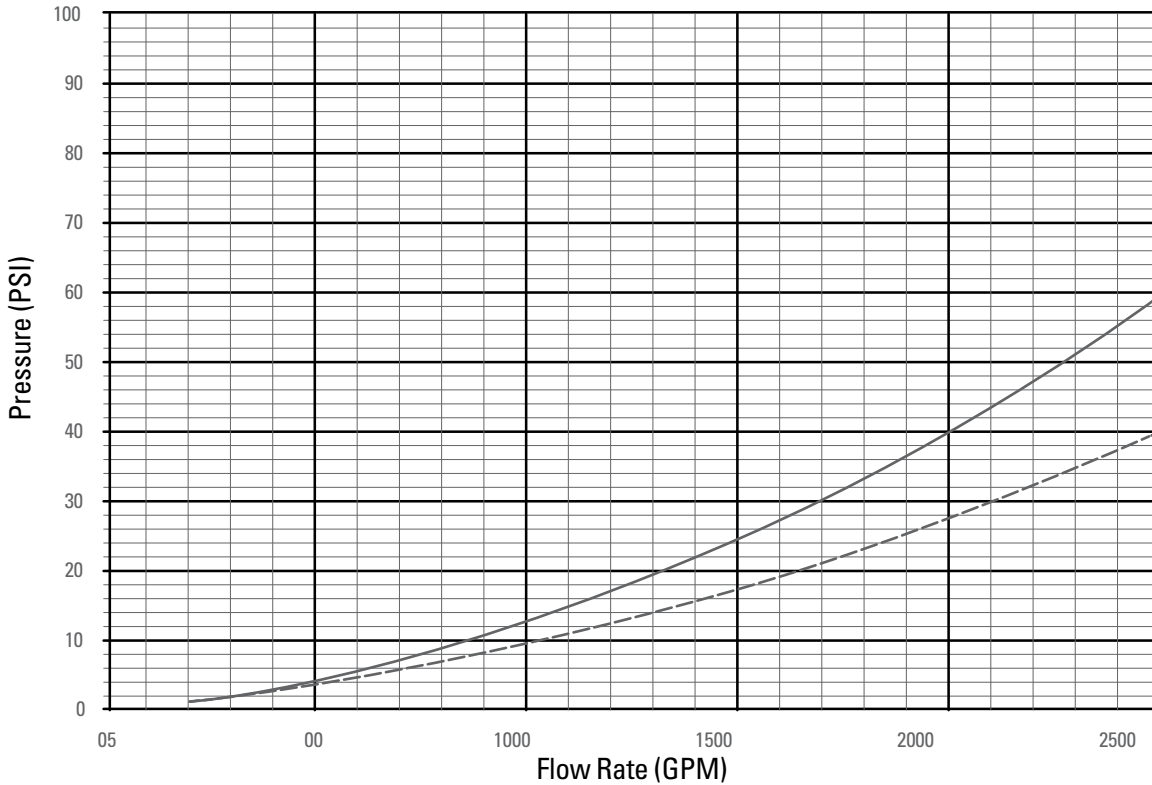


DATA SHEET

Scorpion EXM2 Monitor

7400X2 Scorpion EXM2 Monitor Pressure Drop

4.0" Inlet and 3.5" Outlet



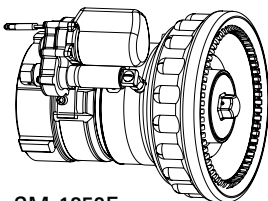
—— Total Pressure Drop - - - Friction Loss

X-Stream® Series Master Stream Nozzles

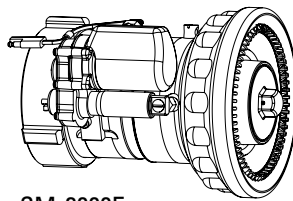
The SM1250E and SM2000E are two electrically actuated master stream nozzles for use with the Scorpion EXM monitor. The X-Stream series nozzles automatically adjust to maintain an effective stream and maximum reach at variable or reduced flows. Electric actuators are completely sealed and allow precise pattern control from straight stream to wide fog.

Electric Nozzle Specifications

| Model | Inlet | Pressure PSI (BAR) | Flow Range - GPM (LPM) |
|----------|-------|--------------------|------------------------|
| SM-1250E | 3.5" | 75 (5.2) | 350-1250 (1400-5000) |
| SM-2000E | 3.5" | 80 (5.6) | 500-2000 (2000-8000) |



SM-1250E



SM-2000E

